



Sovitron Interior Pvt.Ltd.



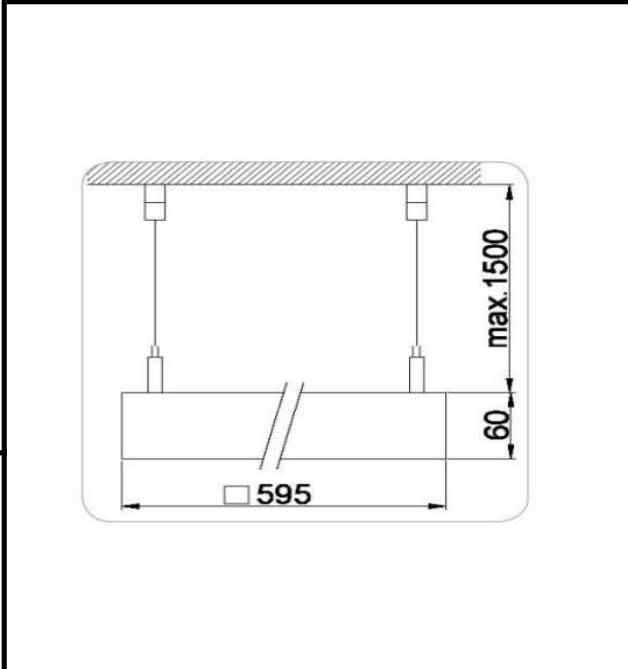
Model Name	Geniso 2X2 Backlit /DLTP2X2DPD-25
Description	Panel light

Technical description	Image
-----------------------	-------

Dimension	L=595mm W=595mm, H=60mm
Frame	Aluminium
Color Tempertaure	5700K
Power	25W
Total Luminous Flux	2500 lm
Efficacy	100 lm/W
IP rating	50
Color Rendering	≥80
Mounting	Pendant
Diffuser/Lens	PMMA Diffuser
Dimming	NON-Dimmable
Operating Voltage	220-240 VAC
Standard Lifetime	L70 minimum at 50,000 burning hours



Dimension diagram



Remarks:-

Address: Plot #7 Saroorpur-Nangla Industrial Area,Ballabgarh-Sohna Road,Faridabad-121005
Email: info@sovitron.com